

# Duplomatic Oleodinamica in the **INDUSTRIAL** sector

## The answer of hydraulic power to the industrial automation's needs

Duplomatic Oleodinamica offers a full range of products and solutions for all the industrial automation's applications that require hydraulic power.

All Duplomatic Oleodinamica's products are designed in order to be fully compatible within the most advanced automated plants that work with multiple technologies. This way they are able to synergically operate, **granting effectiveness and efficiency both in operational and management terms.**

The awareness about environmental issues, leads since a long time all the designing decisions toward technological solutions able to assure an even higher energetic efficiency. **Components able to operate with just 8 Watt**, represent a real answer to the operational cost saving needs.

The long lasting affirmed presence on the market along with the relentless technology innovation process, make it possible for Duplomatic Oleodinamica to offer a **fully interchangeable** products range **without compromises** nor in terms of quality nor in terms of performances. That's why all our products are:

**COMPATIBLE**



**GREEN ORIENTED**



**INTERCHANGEABLE**



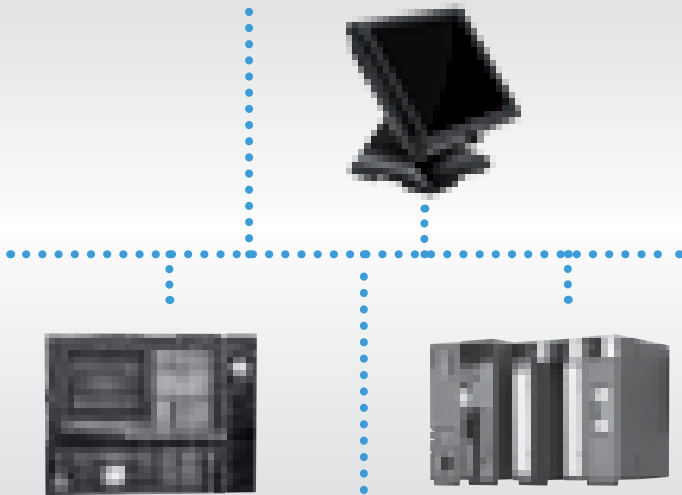
**LAN / ENTERPRISE LEVEL**



**CAN**



**FIELDBUS LEVEL**

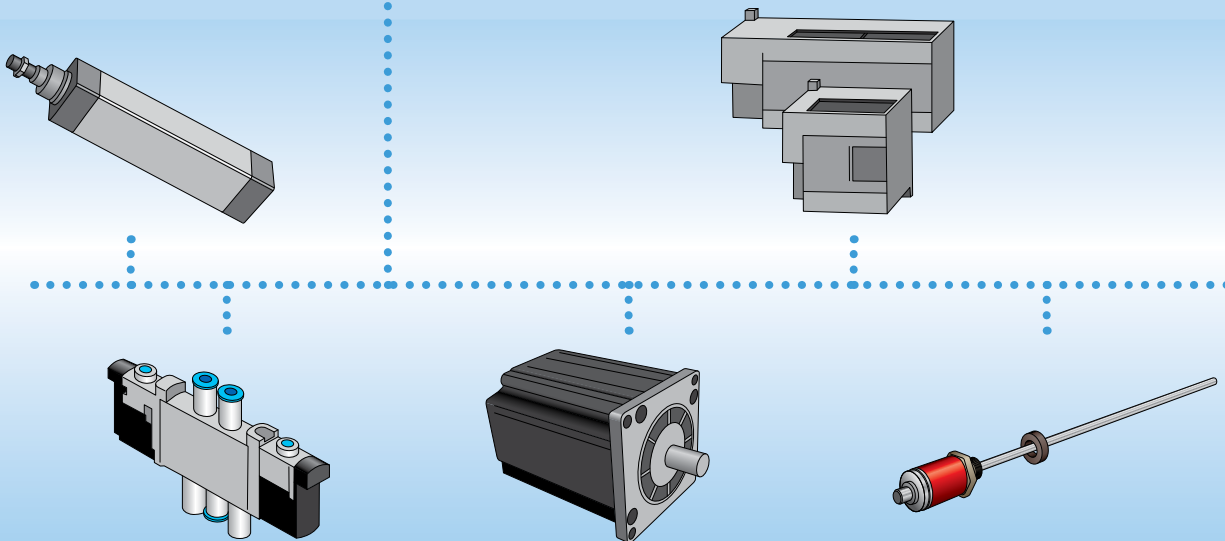


**EtherCAT** 



**Modbus**

**DEVICE LEVEL**



**PNEUMATICS**

**ELECTRONICS**

**SENSORS**

# AXES CONTROL SYSTEM

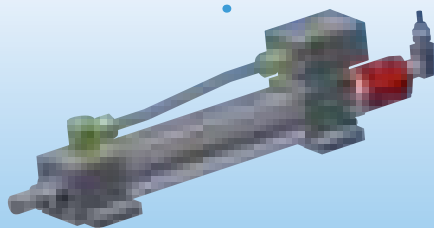
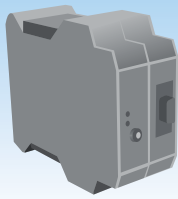
ANALOG & DIGITAL  
PLC INPUT

ANALOG & DIGITAL  
OUTPUT

ANALOG & DIGITAL  
FEEDBACK

## CONTROLS


S	stroke
SP	stroke and pressure
MS	master and slave
SS	synchro stroke
P	pressure
PQ	pressure and flow
PID	customizable
RL	speed



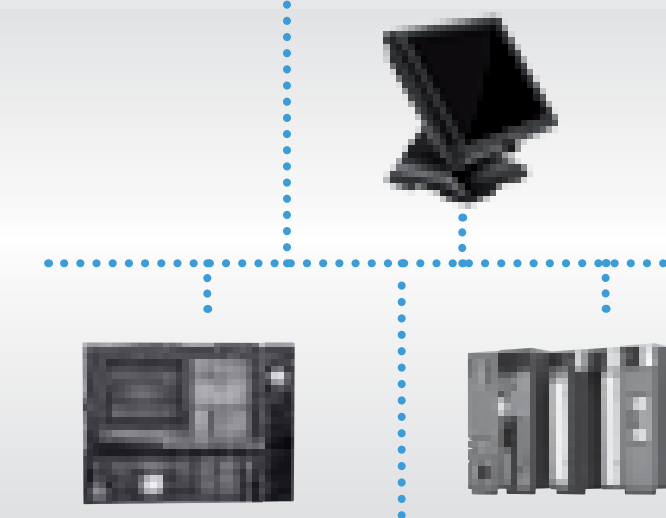
**HYDRAULIC**

# HYDRAULIC POWER APPLICATIONS

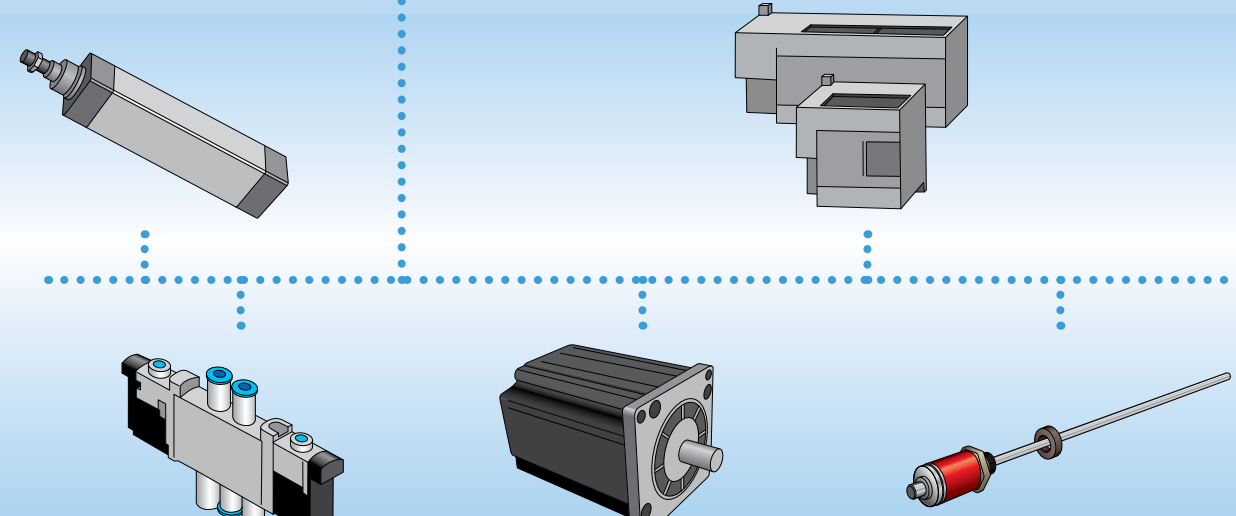
**LAN / ENTERPRISE LEVEL**



**FIELDBUS LEVEL**



**DEVICE LEVEL**



**PNEUMATICS**

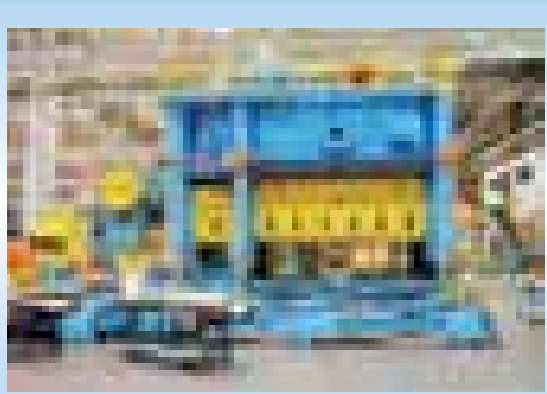
**ELECTRONICS**

**SENSORS**

**CAN**  
DeviceNet™

**EtherCAT®**  
EtherNet/IP™

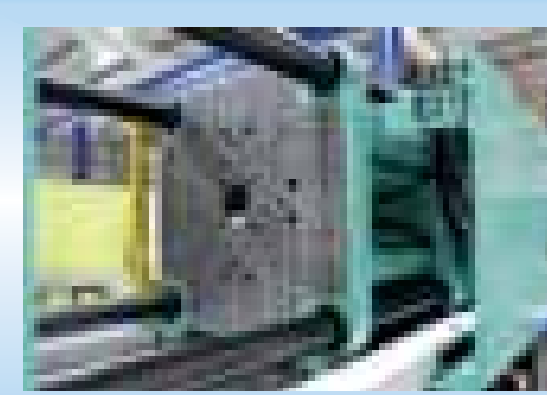
Modbus



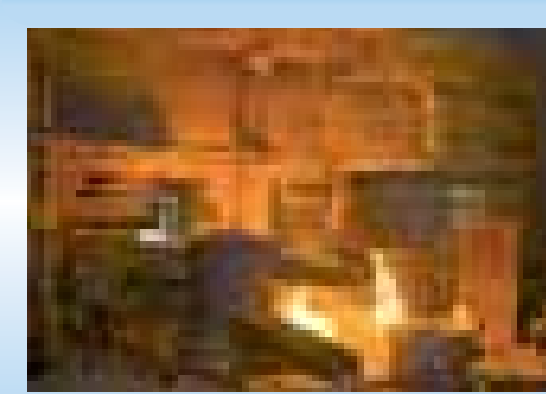
VERTICAL PRESSES



MILLING MACHINES



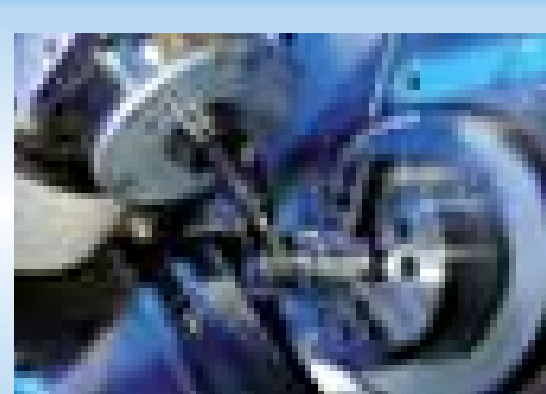
INJECTION MOULDING



IRON AND STEEL WORKING



PUNCHING MACHINES



TOOL MACHINES



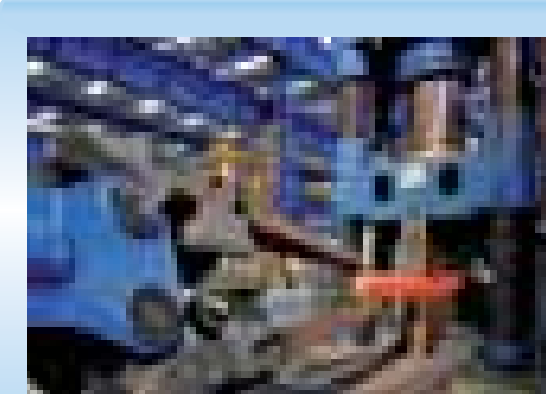
TUBE BENDING MACHINES



DECOILERS



TRANSFER MACHINES



HYDRAULIC FORGES

# Diplomatic Oleodinamica

## your **FULL LINE** partner

### across the world

#### ▪ Valves

Proportional valves  
Pressure control valves  
Flow control valves  
Directional valves  
Check valves  
Modular valves

#### ▪ Electronics

- Pumps
- Cylinders
- Customized Solutions



PRESENT IN **55 COUNTRIES**

WITH A NETWORK OF MORE THAN **100 DISTRIBUTORS AND DEALERS**

ALGERIA | ARGENTINA | AUSTRALIA | AUSTRIA | BELGIUM | BRASIL | BULGARIA | CHILE | CHINA | COLOMBIA | CÔTE D'IVOIRE | CROATIA  
CZECH REPUBLIC | DENMARK | EGYPT | FINLAND | FRANCE | GERMANY | GREECE | GUATEMALA | INDIA | HUNGARY | INDONESIA  
IRAN | ISRAEL | JORDAN | LITHUANIA | MALAYSIA | MEXICO | MOROCCO | NETHERLANDS | NEW ZEALAND | NORWAY | OMAN  
PHILIPPINES | POLAND | PORTUGAL | ROMANIA | RUSSIA | SERBIA | SINGAPORE | SLOVAKIA | SLOVENIA | SOUTH AFRICA | SOUTH KOREA  
SPAIN | SWEDEN | SWITZERLAND | TAIWAN | THAILAND | TUNISIA | TURKEY | UNITED ARAB EMIRATES | UNITED KINGDOM | USA



Your full line partner

Diplomatic Oleodinamica SpA

Via Mario Re Depaolini, 24 - 20015 Parabiago (Mi) Italy  
sales.exp@duplomatic.com

[www.duplomatic.com](http://www.duplomatic.com)

00 413/112

CAN, DeviceNET, EtherCAT, EtherNet/IP, ProfiBUS, ProfiNET e Modbus are all trademarks and/or registered trademarks, property of their respective owners. Their representation has solely the purpose to show some of the main protocols available in the industry automation.